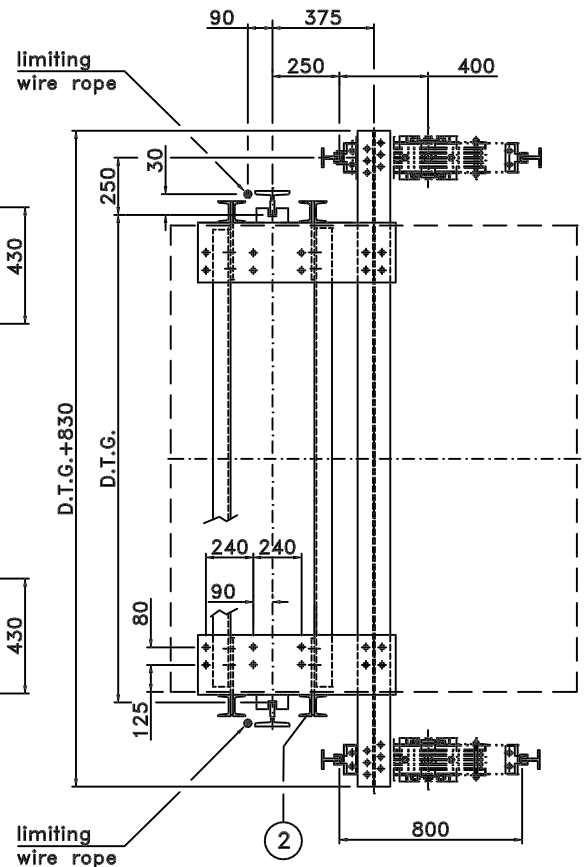
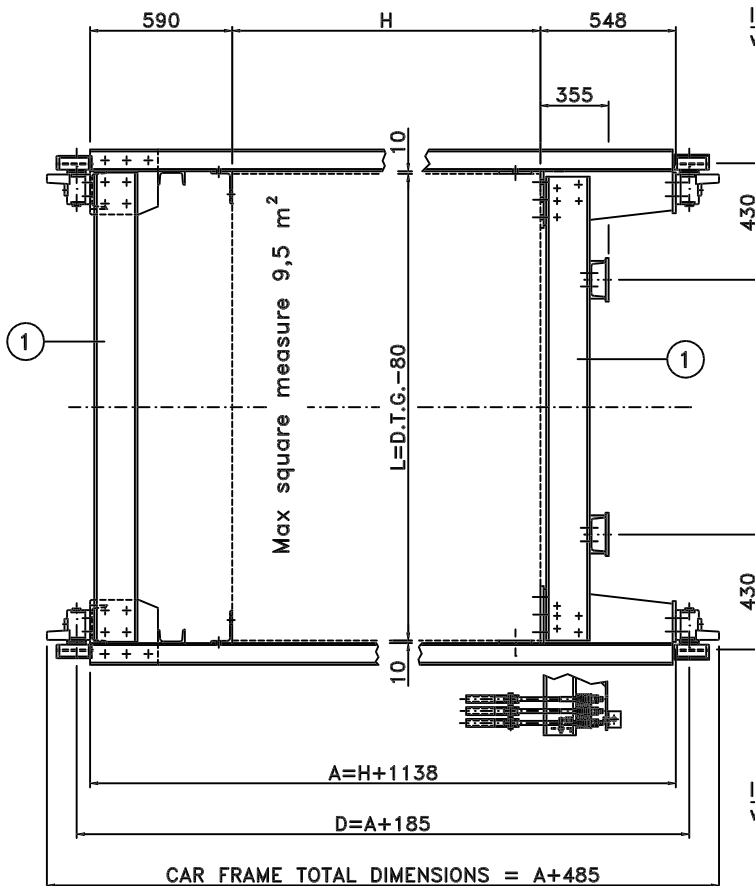
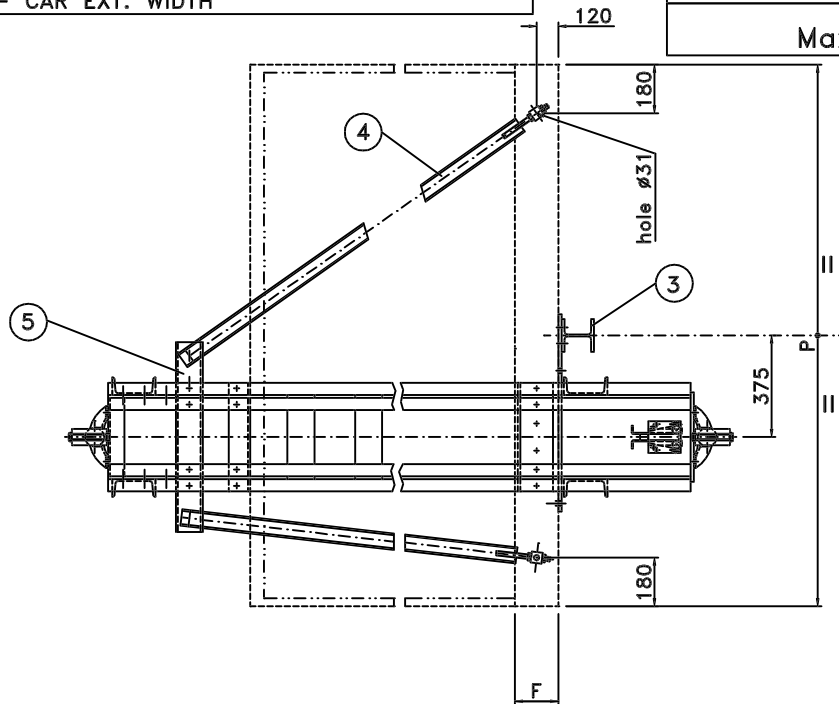


F - CAR FLOOR
A - JAMB HEIGHT
H - CAR HEIGHT, FLOOR INCLUDED
D - SHOES DISTANCE BETWEEN CENTERS
P - CAR DEPTH
L - CAR EXT. WIDTH

TWIN PISTONS HYDRAULIC CAR FRAME
LOAD Q=6000 Kg.
Instantaneous safety gear "PI 44"
Max speed 0,63 m/sec



ELEMENT	Q.TY	PROFILES SECTION
1	04	UNP 200
2	08	UNP 100
3	01	HEB 160
4	04	UNP 100
5	02	UNP 140
6		

