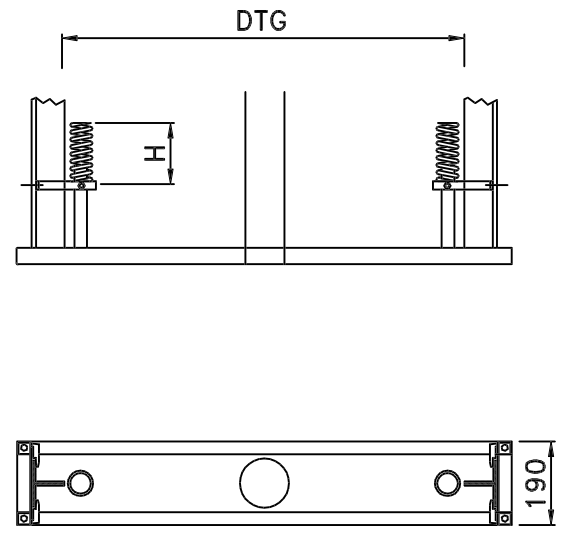
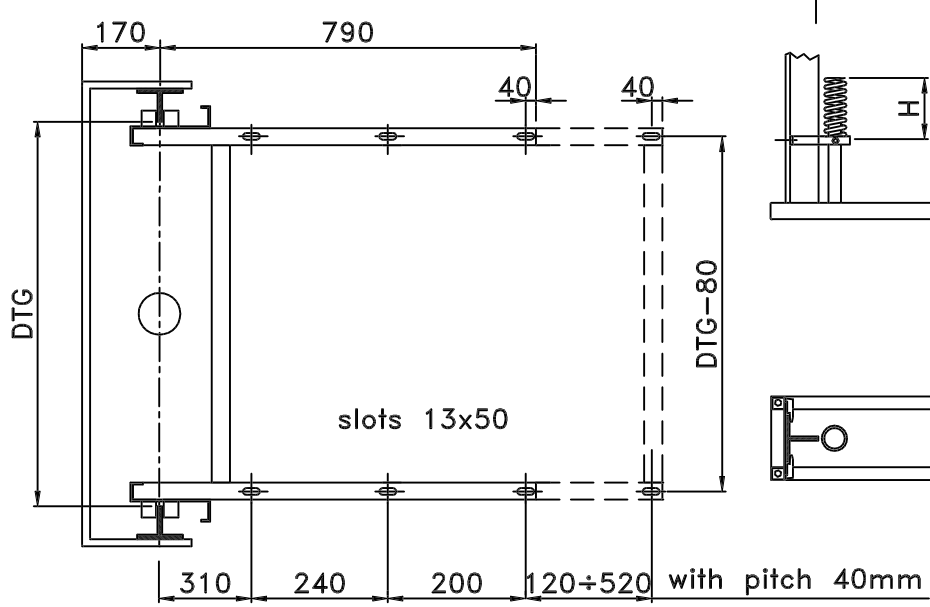
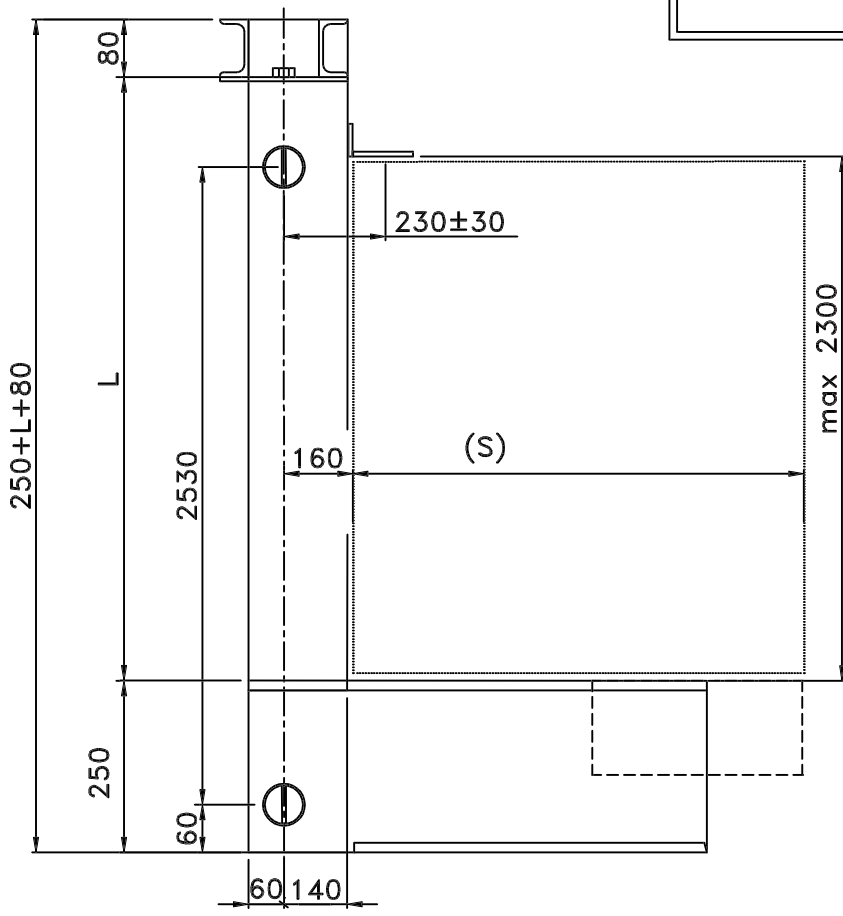


HYDRAULIC DIRECT SIDE ACTING
CAR FRAME "TYPE DL1"



CAR FRAME "TYPE DL1" TECHNICAL DATAS	
LOAD	kG 320÷440
CAR FRAME WEIGHT	Kg 100
CAR GUIDES TYPE	T70 T80
PISTON	∅ 100 MAX
CAR MAX.PROJECTING PART(S)	1050+1400
DTG	650 - 800

spring buffers		
N°	∅ wire	H
2	14	240
2	15	225

