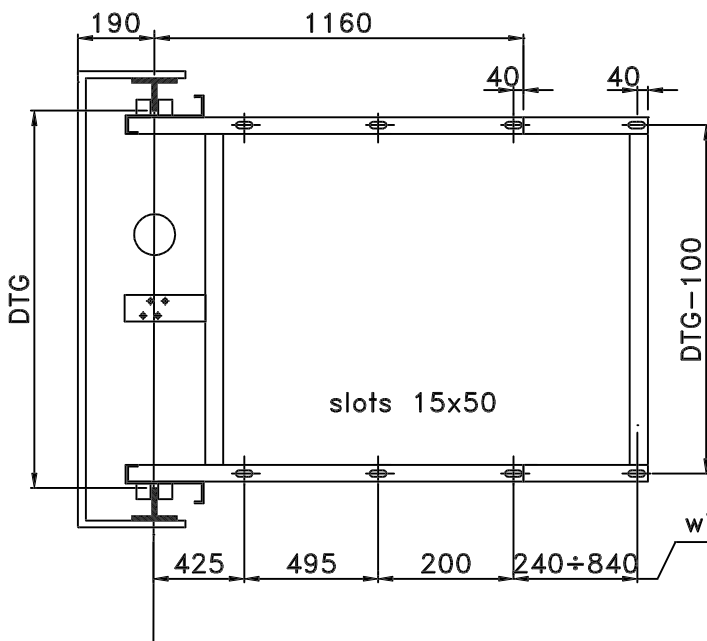
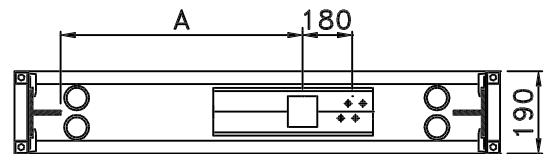
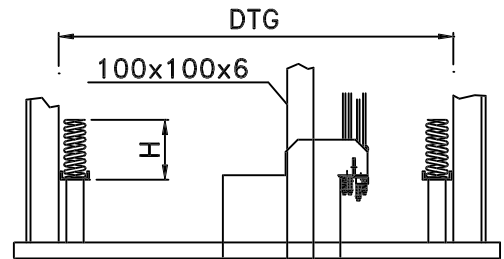
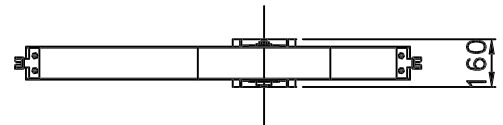
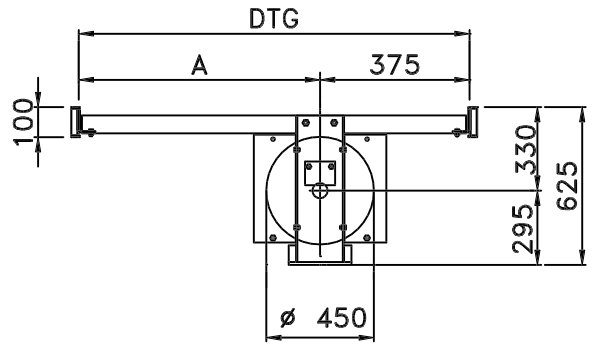


HYDRAULIC INDIRECT ACTING
CAR FRAME TYPE 4



DTG	A
1100	725
1250	875

CAR FRAME TYPE 4 TECHNICAL DATAS	
LOAD	Kg 1000
CAR FRAME WEIGHT	Kg 200
PULLEY WITH FRAME WEIGHT	Kg 50
PULLEY DIAMETER	ø 450
WIRE ROPES DIAMETER	ø 11 No.4
CAR GUIDES TYPE	T80-T90-T125
PISTON	ø 130 MAX.
CAR MAX.PROJECTING PART(S)	1850
ROPES MAX. STRENGHT	daN 1766

available spring buffers	
ø wire	H
15	225
18	250

