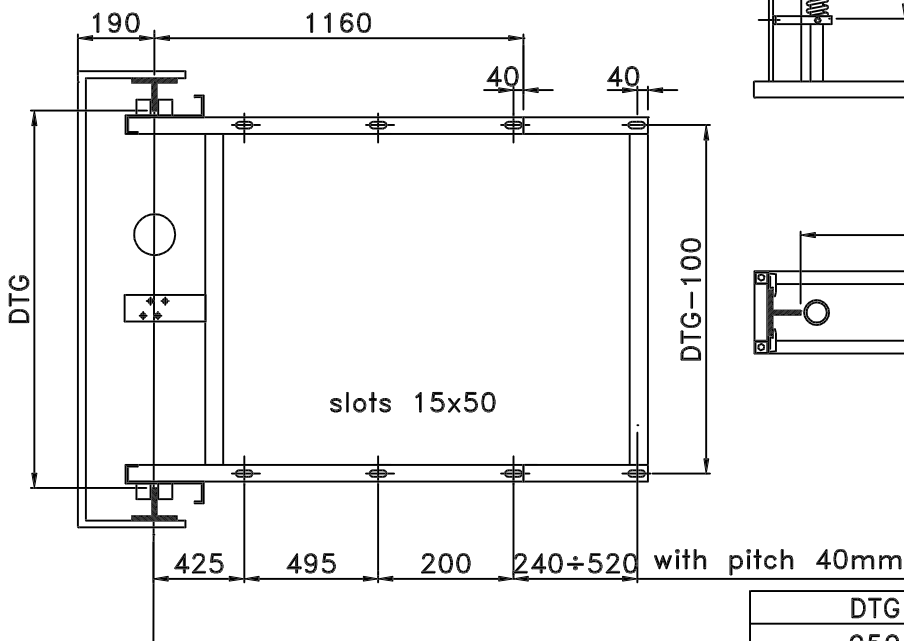
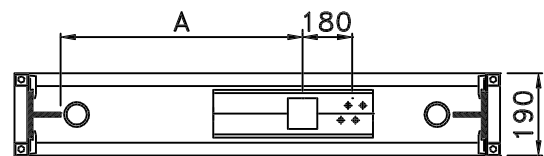
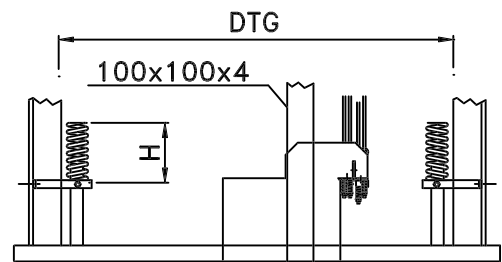
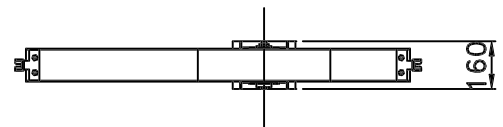
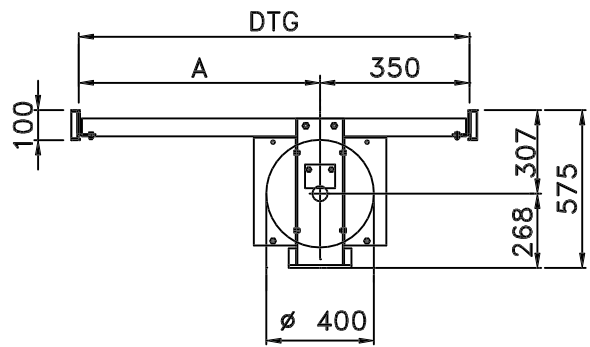


HYDRAULIC INIRECT ACTING  
CAR FRAME TYPE 3



DTG	A
950	600
1100	750

"TYPE 3" CAR FRAME TECHNICAL DATAS	
LOAD	kg 630÷850
CAR FRAME WEIGHT	Kg 180
PULLEY WITH FRAME WEIGHT	Kg 45
PULLEY DIAMETER	ø 400
WIRE ROPES DIAMETER	ø 10 N°4
CAR GUIDES TYPE	T80-T90
PISTON	ø 130 MAX
CAR MAX.PROJECTING PART(S)	1500
ROPES MAX. STRENGHT	daN 1450

available spring buffers	
ø wire	H
15	225
18	250

