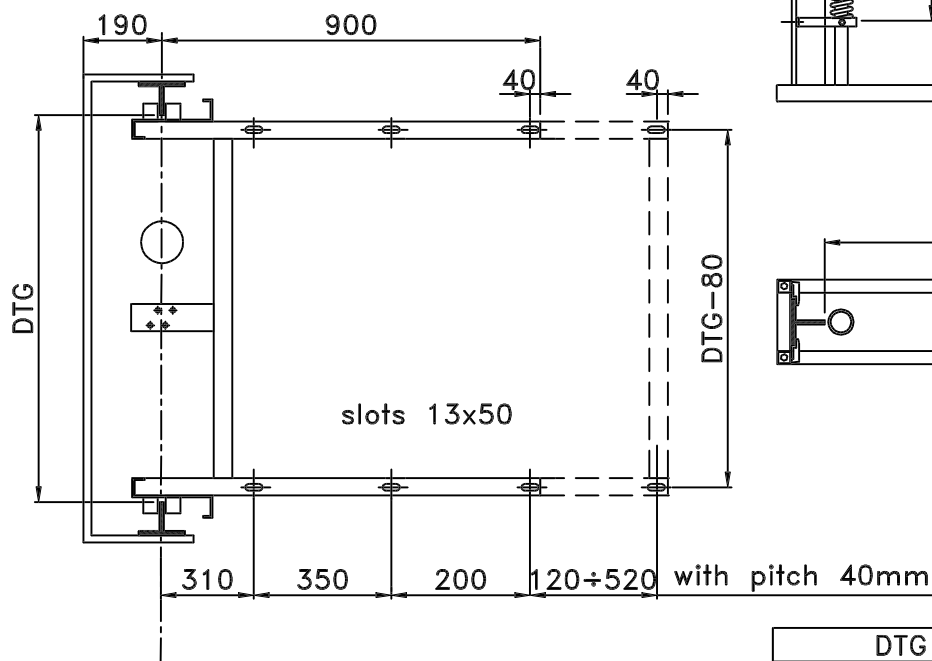
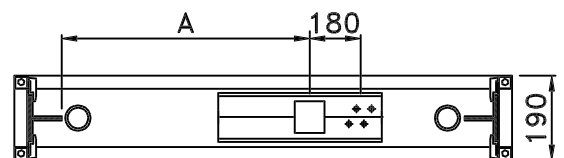
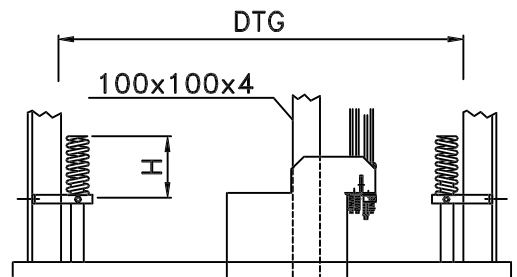
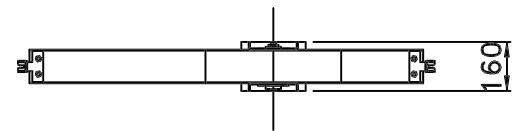
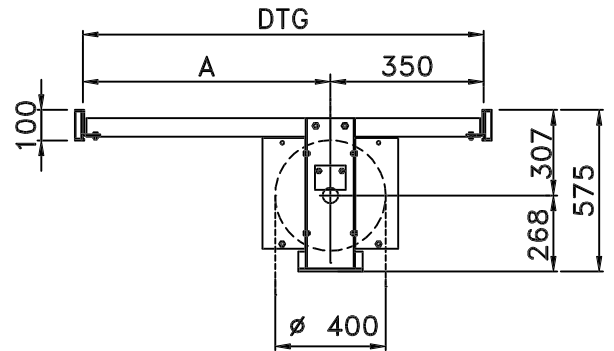


HYDRAULIC INDIRECT ACTING
CAR FRAME "TYPE 2"



"TYPE2" CAR FRAME TECHNICAL DATAS	
LOAD	kG 480
CAR FRAME WEIGHT	Kg 160
PULLEY WITH FRAME WEIGHT	Kg 45
PULLEY DIAMETER	ø 400
WIRE ROPES DIAMETER	ø 10 N°4
CAR GUIDES TYPE	T70-T80
PISTON	ø 120 MAX
CAR MAX.PROJECTING PART(S)	1200-1400
ROPES MAX. STRENGHT	daN 1150

DTG	A
800	450
950	600

Spring buffers		
N°	ø wire	H
2	14	240
2	15	225

