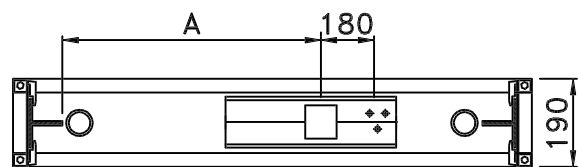
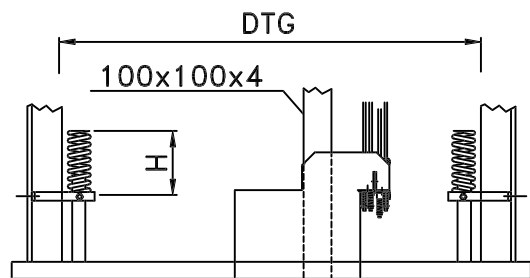
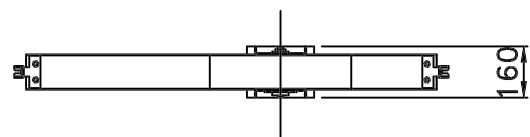
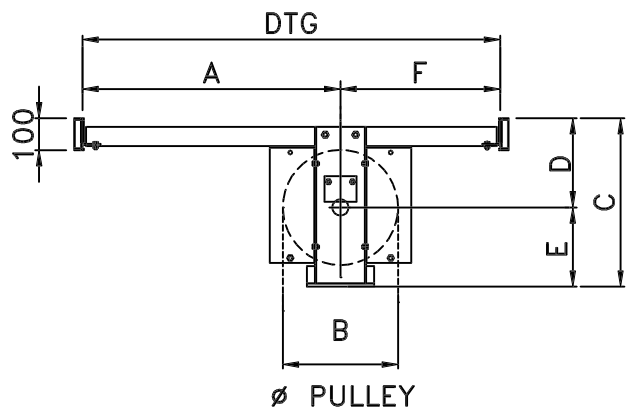


HYDRAULIC INDIRECT ACTING
CAR FRAME "TYPE 1"



DTG	A	B	C	D	E	F
650	330	360	525	277	248	320
800	450	400	575	307	268	350

Spring buffers		
N°	ø wire	H
2	14	240
2	15	225

"TYPE1" CAR FRAME TECHNICAL DATAS

LOAD	kg 320÷400	
CAR FRAME WEIGHT	Kg 100	
PULLEY DIAMETER	ø 360	ø 400
PULLEY WITH FRAME WEIGHT	Kg 38	Kg 45
ROPES No. AND DIAMETER	N°3ø9	N°3ø10
CAR GUIDES TYPE	T70	
PISTON	ø 100 MAX	
CAR MAX.PROJECTING PART(S)	1050÷1400	
ROPES MAX.STRENGHT[daN]	670	870

