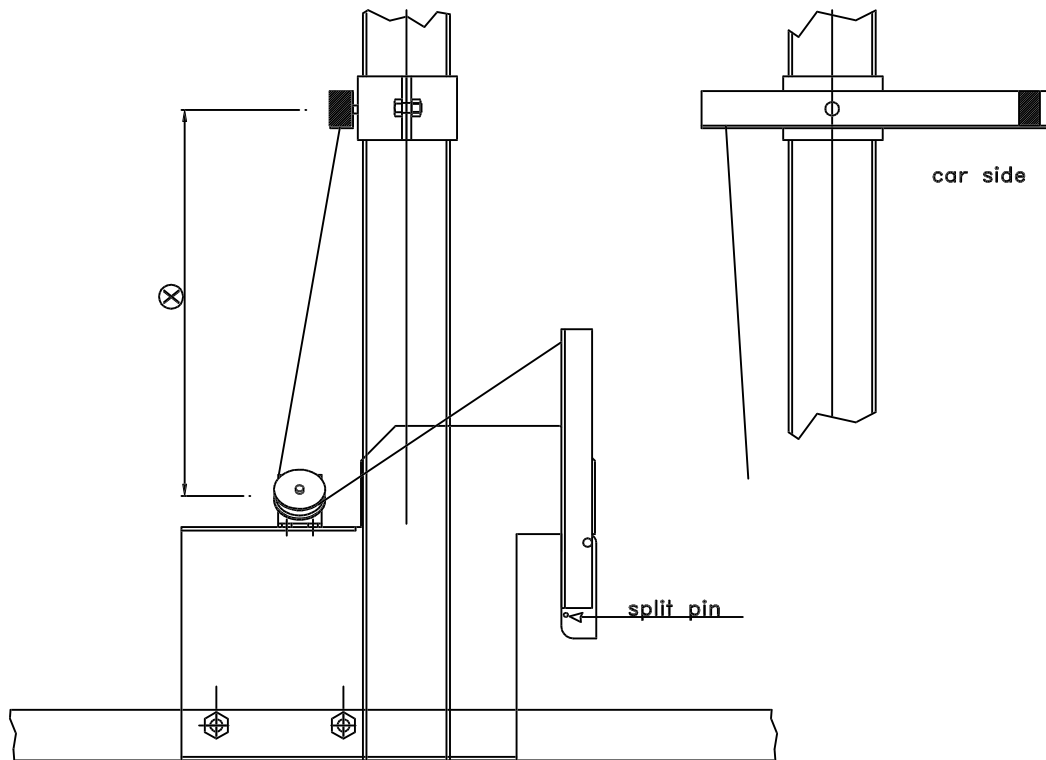


DEVICE FOR TESTING THE SAFETY GEAR INTERVENTION USING THE WIRE ROPES LOOSENING.



INSERT THE SPLIT PIN DURING THE WIRE ROPES ASSEMBLY AND TENSIONING.
REMOVE IT DURING THE TEST.

DISASSEMBLE THE DEVICE WHEN THE TEST IS FINISHED TO AVOID POSSIBLE INTERFERENCES WITH MOVING COMPONENTS.

⊗ YOU MUST PUT THE LEVER HORIZONTALLY AND YOU MUST FASTEN IT AT A HEIGHT SO THAT THE WIRE ROPE IS IN TENSION.

